

# Air Compressors

Sales | Service | Parts | Rentals | Installations



**AIR Centers of Florida**  
AIR COMPRESSORS



**AIR Centers of Florida**  
AIR COMPRESSORS

**Sales | Service | Parts | Rentals | Installations**

*Compressed air experts!*

Air Centers of Florida is the #1 Ingersoll Rand Air Compressor Distributor in North America.

Air Centers of Florida offers complete compressed air solutions that deliver reliable, high-quality and energy efficient options to meet specific customer requirements. From the compressor room to your production area, we design comprehensive solutions offering Ingersoll Rand compressor systems, production tools, hoists, fluid pumps, and material handling equipment.

Our factory certified service technicians are available for service 24 hour, 7 days/week. ACF technicians are compliant with the OSHA and NFPA 70E regulations regarding Arc-Flash. This gives you assurance that the work is completed safely, accurately, and efficiently with fewer unexpected problems and maximum equipment up-time.

With a commitment to lowering cost of production, quality service, and solid customer relationships, ACF provides unparalleled levels of customer satisfaction through our total solutions approach.

**Industries served:**

- |                       |                |            |                    |
|-----------------------|----------------|------------|--------------------|
| Food and Beverage     | Electronics    | Plastics   | Entertainment      |
| General Manufacturing | Pharmaceutical | Railroad   | Medical Facilities |
| Hospitals             | Printing       | Automotive | Municipalities     |
| Aerospace             | Military       | Refineries |                    |





## Why Air Centers of Florida?

### The need for compressed air.

*Some call it a utility. We call it a critical element to the success of your business.* Whether you are a small production facility, or a major manufacturing plant, you can count on Air Centers of Florida products and services to make sure your business is running at peak performance.

### The cost of compressed air.

*Have you ever considered how the loss of compressed air affects your business?* Whether it's the loss of production, the need for new equipment, a complete system audit, air piping installation, or a comprehensive preventative maintenance agreement. Air Centers of Florida can offer solutions that will minimize your downtime and maximize your facilities overall profitability.

At Air Centers of Florida we are dedicated to assisting you in evaluating your compressed air needs that will

provide the best solution possible. We can support this process from the beginning of the design phase and our dedicated and experienced staff will continue that support until the facility is in production.

### Reliable compressed air systems.

*Air Centers of Florida is the exclusive Ingersoll Rand master distributor for electric air compressors from 5hp to 500hp.* The Ingersoll Rand air compressor line is the industry leader and provides the most reliable and serviceable compressor package available. Whether you seek a complete system design, or a turn key installation, our professional sales and service teams are available to assist you.



Since 1987, Air Centers of Florida has been a proud Authorized Master Ingersoll Rand Distributor.



### Our product line includes:

- |                                |                               |
|--------------------------------|-------------------------------|
| Rotary Screw Compressors       | Pneumatic Tools               |
| Reciprocating Compressors      | Fluid Handling Pumps          |
| Oil-Free Compressors           | Material Handling Equipment   |
| Medical Compressor Systems     | Breathing Air Equipment       |
| Dryers and Filtration Products | Nitrogen Systems              |
| System Controls                | Standby Industrial Generators |
|                                | Industrial Vacuum Systems     |



Air Centers of Florida – design,  
application, service and  
maintenance experts.

Service all major brands of  
Compressors, Blowers, and Vacuum pumps.

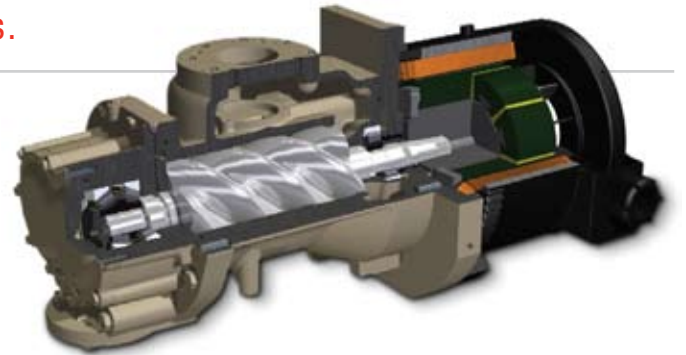
### Our Commitment to Service.

#### Quality service.

*Offering a quality, reliable product line is one thing ,  
providing crucial service and support for that product line  
is quite another.* Since 1987, Air Centers of Florida has  
provided exceptional service, 24 hours a day, 7 days a  
week, 365 days a year. Our factory trained certified  
technicians are committed to providing, prompt, courteous,  
and professional service on every call. Our services cater  
to individual customers needs and requirements and range  
from providing scheduled preventative maintenances to  
emergency break fix repairs.

#### Protect your investment.

*Your compressed air system is the life blood of your  
organization.* Let our factory trained sales and service  
professionals provide you with the products and services  
that guarantee your compressed air system will run at peak  
efficiency. We provide complete system designs that will  
allow for efficient plant operation to quarterly preventative  
service agreements that ensure service intervals are met.  
Let Air Centers of Florida help protect your investment so  
your investment protects you when you need it the most.



#### Our services include:

- 24 Hour Emergency Service
- Compressed Air System Design  
Installations
- Leak Detection Services
- Vibration and Oil Analysis
- Rental Compressors
- Air Audits and Energy Evaluations
- Preventative Maintenance
- Customer Training
- Financing and Leasing programs
- Extended Warranty Programs



#### Need a part?

Air Centers of Florida has an in-depth inventory of compressor parts in three warehouses (Tampa, Orlando, and Jacksonville) with local Parts Managers supporting customer needs immediately - day or night. Our Parts Department can locate, within minutes, even the most obscure or dated Ingersoll Rand or competitive brand name parts. Prices, shipping data and schedules are established immediately. *Is your need critical? We can access emergency overnight delivery!*

# Custom Designed Air Systems



## Serving Florida's Air Compressor Needs

---

Available for your service needs 24 hours a day, 365 days a year with full service branches in Tampa, Jacksonville, and Orlando, with satellite offices throughout the state.

It is our privilege to service you!

### Corporate Headquarters

#### Tampa

9311 Solar Dr.

Tampa, FL. 33619

(813) 621-9671 Main

(800) 282-5359 Toll Free

(813) 621-6980 Fax

Offices throughout Florida.



NFPA 70E Compliant



**AIR Centers of Florida**  
AIR COMPRESSORS



Authorized Distributor of

**Ingersoll Rand**

[AirCentersofFlorida.com](http://AirCentersofFlorida.com)